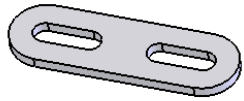


Optional Hardware Kit Supplement

Kit Contents:



Slotted Retaining Bracket (qty.2)



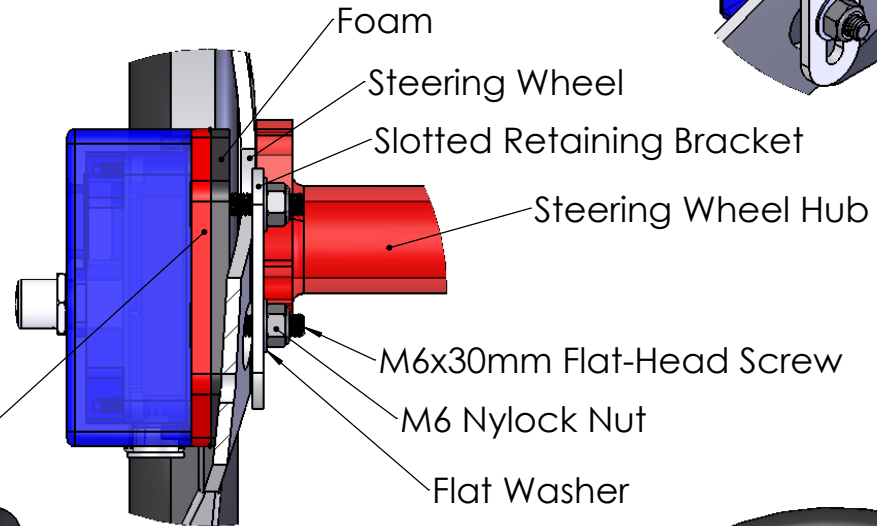
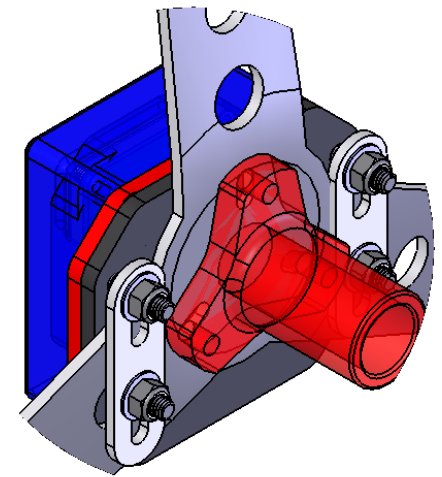
M6x30mm Flat-Head Screw (qty.4)



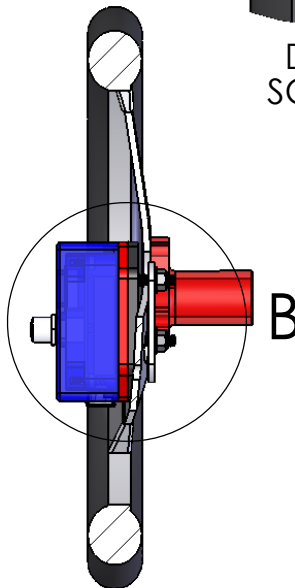
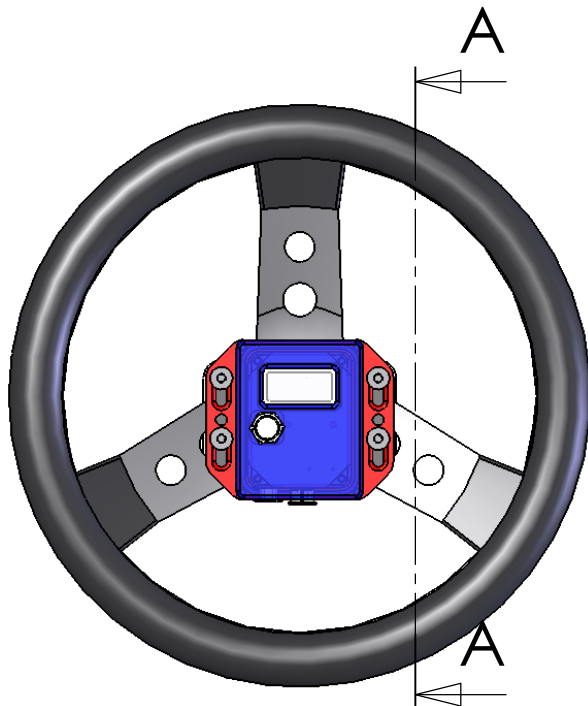
M6 Flat Washer (qty.4)



M6 Nylock Nut (qty.4)



DETAIL B
SCALE 1 : 2



SECTION A-A
SCALE 1 : 4

